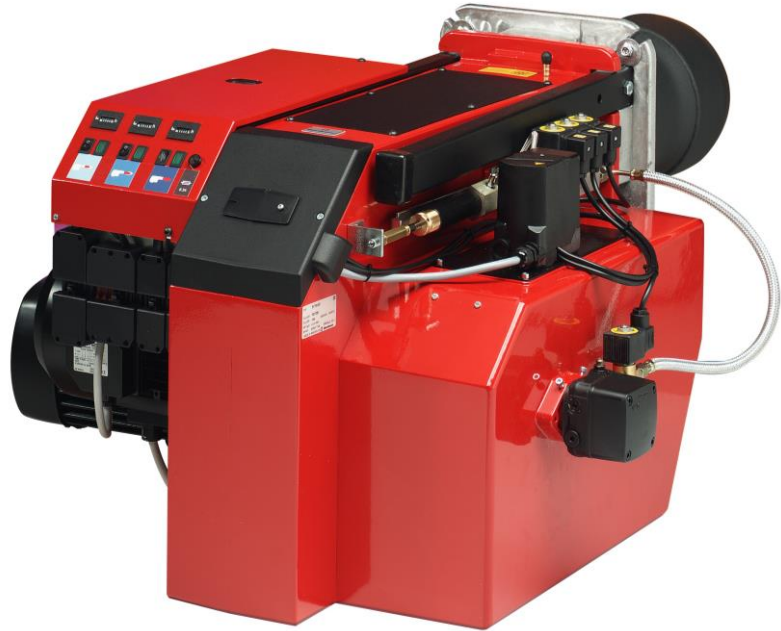


# MOL 1650 / 2540 Oil Burner



## **MOL 1650 / 2540 Oil Burner features:**

- Energy saving and compatible with environmental requirements
- Quiet in operation and designed for easy maintenance
- Reliable and trouble-free
- Designed and approved in accordance with the European Standard EN 267
- Suitable for high resistance boilers
- Industry standard components easily available
- Designed for 2 or 3 stage operation
- Plug-in contact facilitates the installation
- With servo motor air adjustment
- With diffuser plate optimiser
- Fuel – Light distillate oil Class D (1.5-5.5 cSt @ 40°C)
- All kW ratings are nett CV



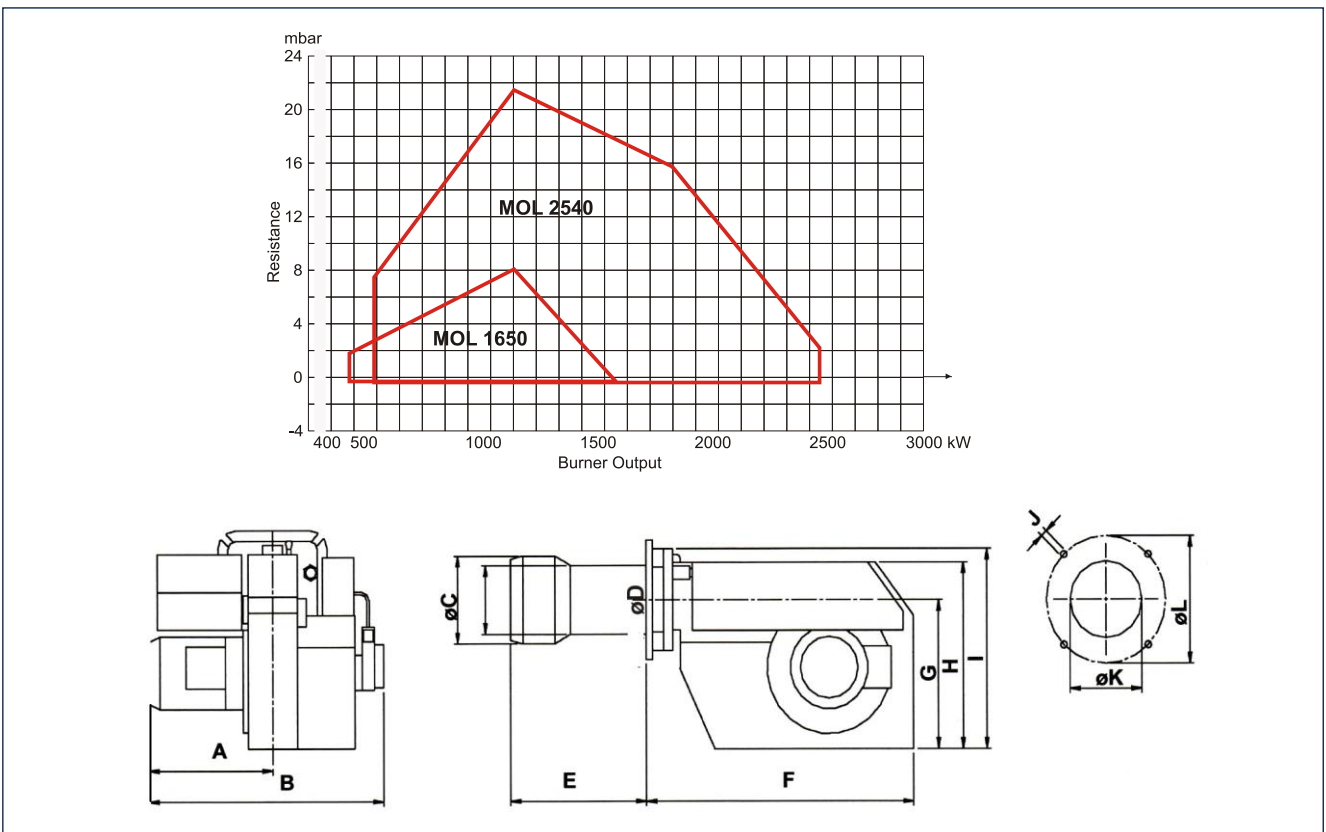
ISO9001

For more information on all Nu-way products  
please visit [www.nu-way.co.uk](http://www.nu-way.co.uk)



**Enertech Group**

Type		MOL 1650	MOL 2540
Capacity	kW	486-1649	593-2538
Motor	V/Hz kW / A (Fuse) + A (control fuse)	400/50 3.0 / 3 x 16 + 6	400/50 5.5 / 3 x 20 + 6
Start / Run Current	Amps	43 / 6.5	87 / 11.5
Control box		Siemens LAL1	
Fuel pump		Danfoss RSA125	
Air damper motor		•	
Gross weight	kg	127	150
Volume	m <sup>3</sup>	0.9	0.9



Burner	A	B	øC	øD	E*	F	G	H	I	J	øK	L
MOL 1650	425	805	220	205	324	730	408	504	538	14	206	310-380
MOL 2540	435	815	261	206	356	730	408	504	538	14	206	310-380

\* Extended Lengths Available

	3-nozzle	Servo motor	Diffuser plate optimiser	Hydraulic air regulation
MOL 1650-3H MOL 2540-3H	•			•
MOL 1650-3R MOL 2540-3R	•	•	•	

Enertech Limited, Ten Acres, Berry Hill Industrial Estate, Droitwich Spa, Worcestershire, WR9 9AQ

tel: +44 (0) 1905 794331 • fax: +44 (0) 1905 794017  
email: info@nu-way.co.uk • web: www.nu-way.co.uk

